

ATTENTION

*Please read carefully

※Please make sure to read following instruction carefully before use, and follow the caution below. Otherwise, fire, electric shock and serious incidents such as burn injury may result.

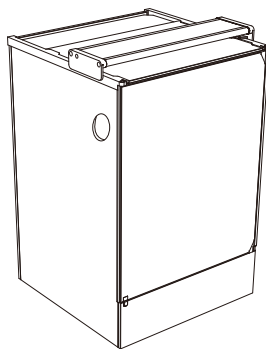
WARNING

- Do NOT disassemble nor modify this product. It can cause fire, electric shock or malfunction of the product.
- Do NOT use this product if accidentally dropped to floor. It can cause fire, electric shock or malfunction of the product.
- Use this product in the operating temperature range specified in this instruction manual. Do NOT use this product in a place where the product is directly exposed to sunlight, water, rain, wind or frequent vibration, or in high humidity. It can cause fire, electric shock or malfunction of the product.
- Avoid water. It can cause electric shock or malfunction of the product. Stop using this product immediately if the product gets wet.
- Do NOT touch the AC adapter or Power Plug with wet hands. It can cause electric shock.
- Do NOT cover this product with any flammable materials including a cloth or paper. Do NOT use this product near flammable materials. It can cause fire.
- Do NOT insert any metals or flammable materials inside this product. It can cause fire, electric shock or malfunction of the product.
- Do NOT forcefully bend, twist or pull the Power Supply Cord. If the Power Supply Cord is damaged, it can cause fire or electric shock.
- Stop using this product immediately if the Power Supply Cord is damaged (exposed cable core, disconnection of the cord etc.) It can cause fire or electric shock.
- Water running down the power plug can cause fire or electric shock. In case of using an electrical outlet located below the aquarium, it's recommended to use Power Code S-70 (optional) to keep the electrical outlet away from water.
- Do NOT look directly into the LED light.
- The supplied Power Supply Cord is designed exclusively for the AC adapter of this product. Do not use any power cord other than the supplied Power Supply Cord for the AC adapter of this product. Use of any power cord other than the supplied cord may cause damage to the product. Do not use the supplied Power Supply Cord with anything other than this product.
- To prevent electric shock and injury, KEEP OUT OF REACH OF CHILDREN.
- Aquarium Use Only

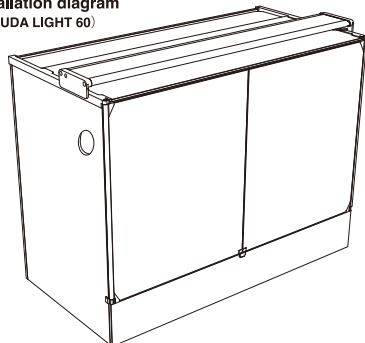
4.Operating instruction

- Set up the right fitting stand on System Paluda W30cm / W60cm.
- Connect Power Supply Plug into Lighting Unit. Plug the AC adapter or Power Plug into an electrical outlet and turn on the Power Supply Switch for lighting. To turn off the light, switch off the Power Supply Switch.

Installation diagram
(PALUDA LIGHT 30)



Installation diagram
(PALUDA LIGHT 60)

**CAUTION**

- Be cautious not to drop or place this product into water.
- Keep the Lighting Unit, AC adapter, Power Supply Switch and Power Supply Plug away from water. This product is not waterproofed.
- Do NOT leave the Lighting Unit directly on the floor or any places other than an aquarium tank during use.
- Do NOT use this product with a dimmer.
- The lighting unit becomes hot due to heat radiation during use. It is not a malfunction of the product.
- LED light of the lighting unit is not replaceable.
- Do NOT use any kind of adhesion tape on this product nor expose the product to direct sunlight. It can cause discoloration or deterioration of the product.
- Do NOT use this product in a place with poor electrical connections. It may cause flickering light or black out.
- Do NOT use this product near a radio or television. It can cause noise problems.
- Do NOT pull the Power Supply Cord while unplugging this product. Always hold AC adapter or Power Plug when plugging it off.
- Always unplug the Power Plug before maintenance.
- Do NOT apply hot water of 40°C or above, alcohol, paint thinner or benzene. It can cause deterioration or deformation of the product.

1. Product Features of PALUDA LIGHT

Paluda Light is a LED lighting equipment for small aquarium tanks designed specifically for Paludarium. Because each of the three primary colors of RGB light is modulated, it can illuminate tropical plants even more beautifully. The lighting unit can be installed to aquarium tanks size W30cm or W60cm.

2. PALUDA LIGHT Compatible Tank Size

●PALUDA LIGHT 30

SYSTEM PALUDA 30
SYSTEM TERRA 30
NEO GLASS PALUDA 30
NEO GLASS AIR W30xD30xH45 (cm)
CUBE GARDEN W30xD30xH30 (cm)
CUBE GARDEN W30xD18xH24 (cm)

●PALUDA LIGHT 60

SYSTEM PALUDA 60
NEO GLASS TERRA (H23)
NEO GLASS TERRA (H36)
NEO GLASS PALUDA 60
CUBE GARDEN W60xD30xH18 (cm)
CUBE GARDEN W60xD30xH45 (cm)
CUBE GARDEN W60xD45xH45 (cm)

5. Product Specification

○PALUDA LIGHT 30

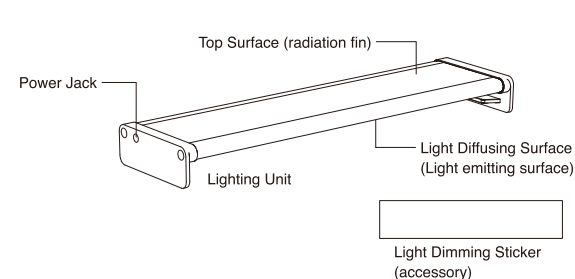
Input voltage	AC100~240V 50/60Hz
Power consumption	16W±10%
Rated Power	24W
Illuminance	Around 15,000Lux (at 10cm distance)
Color temperature	19,000~23,000K (Due to the nature of LED lighting, there are variations in color temperature.)
LED	RGB LED 24
LED lifetime	Over 30,000hrs (subject to operating environment)
Operating temperature range	0~35°C

○PALUDA LIGHT 60

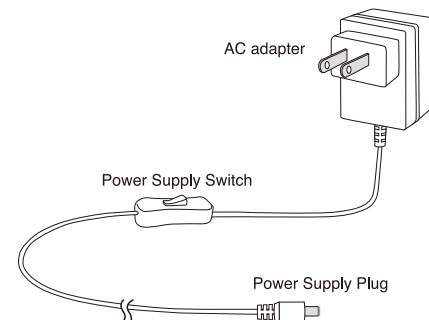
Input voltage	AC100~240V 50/60Hz
Power consumption	30W±10%
Rated Power	54W
Illuminance	Around 15,000Lux (at 10cm distance)
Color temperature	19,000~23,000K (Due to the nature of LED lighting, there are variations in color temperature.)
LED	RGB LED 45
LED lifetime	Over 30,000hrs (subject to operating environment)
Operating temperature range	0~35°C

3. Names of Product Parts

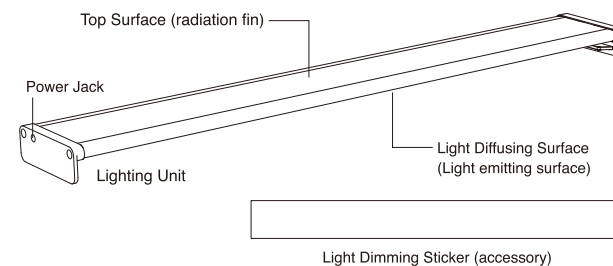
●PALUDA LIGHT 30



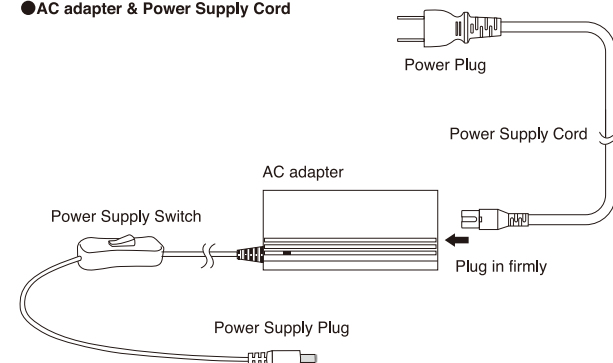
●AC adapter & Power Supply Cord



●PALUDA LIGHT 60



●AC adapter & Power Supply Cord



※The supplied Power Supply Cord is designed exclusively for the AC adapter of this product. Do not use any power cord other than the supplied Power Supply Cord for the AC adapter of this product.