



DOOA, an inspiring brand, helps you enjoy aquatic plants more freely. Minimal and easy, and designed as a platform allowing everyone to nurture plants indoors. Feel closer to nature, and bring beauty into your life.

MIZUKUSA MIST WALL 90

ATTENTION

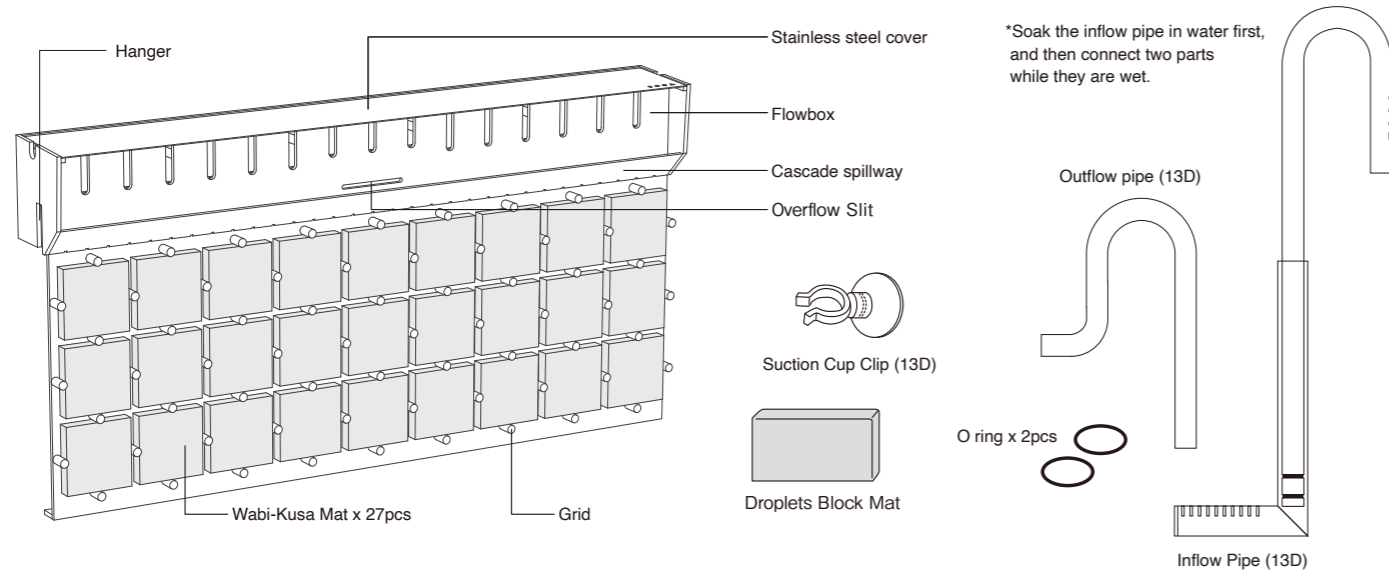
●For Aquarium Use Only: Improper or negligent use of this product may result in serious bodily harm and damage of property. Be sure to use the product only according to the manufacturer's instruction. ●Before the installation, please make sure to read this instruction manual carefully and understand all of its directions. Please do NOT use this product without understanding the proper usage. ●In the course of continuous use of this product, make sure that each connection is securely connected without any water leakage or water splash out of the aquarium. ●When using this product with STEEL CABINET for MIZUKUSA MIST WALL 90, choose a location to install the aquarium considering the possibility of water splash out of the aquarium depending on how the plants grow. ●Handle with care and avoid vibration or impact to this product to prevent damage. ●Use this product with the external filter and aquarium tank that are designated in this instruction manual. This product may not perform its original function if it is combined with other filter and aquarium tank. ●Install this product in the compatible aquarium tank designated by ADA. This product is made of acrylic material. Do not clean this product with hot water at more than 40°C, alcohol, thinner or benzene. Otherwise, deterioration or deformation may result.

1. Product Features of MIZUKUSA MIST WALL 90

- Mizukusa Mist Wall 90 is a planted aquarium cultivating system for aquatic plants that allows us to enjoy scenery filled with natural feeling where emerged leaves of aquatic plants develop on the wall using ADA's unique Wabi-Kusa Mat and Wabi-Kusa. Connect this product to 2 units of separately sold, ADA Super Jet Filter ES-600 (One is for pumping up the water to Mist Wall and the other one is for water circulation in aquarium tank) and Mistflow (DOOA).
- Compatible filter : SUPER JET FILTER ES-600 (50Hz, Flow rate: 5.5L/min, Max. pump head: 2.1m) (60Hz, Flow rate: 6.0L/min, Max. pump head: 2.7m)
- Compatible tank : CUBE GARDEN W90xD45xH45 (cm) (ADA NATURE AQUARIUM)
- ※ Mizukusa Mist Wall 90 is not suitable for installation inside aquarium tanks.

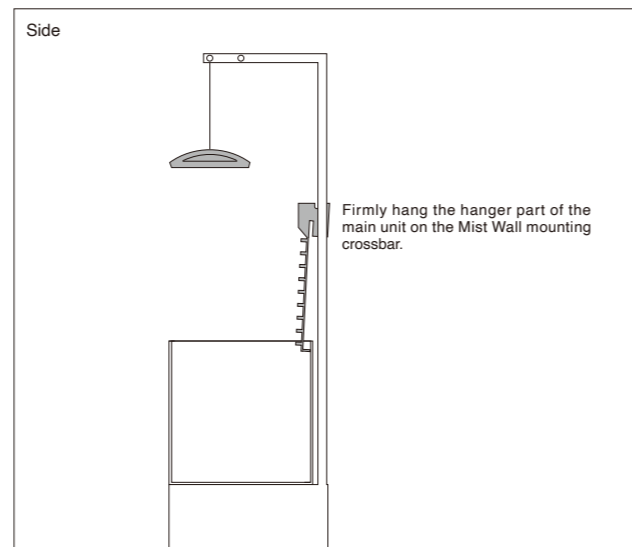
2. Parts

*Before setting up this product, make sure that all the parts are included in the package.
*Mistflow is optional.



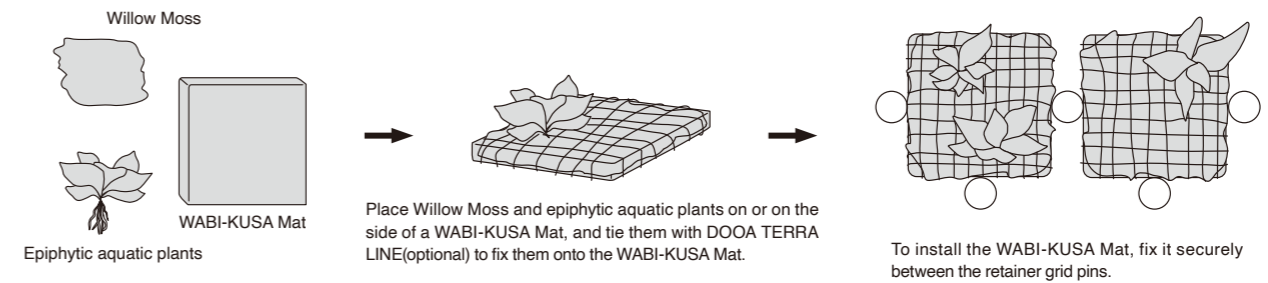
3. Usage

- ① Connect the inflow and outflow pipes to SUPER JET FILTER ES-600.
- ② The height of inflow pipe can be adjusted according to the water level by sliding the inflow pipe. Make sure that two pieces of O-ring have been mounted before using the inflow pipe. Do not allow air to come into the pipe.
- ③ Make sure that the outflow pipe has been securely fixed (The outflow pipe is not permanently attached to this product. Its position can be adjusted by turning) then run SUPER JET FILTER ES-600 (or another external filter) according to its operation manual.
- ④ Regardless of usage and installation method, make sure that there is no water leakage from the pipe joints and other locations after you start the filter. In 30 – 60 minutes after the start of the filter, make sure of the normal operation of the filter without any troubles including water leakage. If any abnormal symptom is observed, stop using the filter immediately and check again if there is any problem in connections or installation. Do not use the filter unless troubleshooting has been done.



○ Usage of WABI-KUSA Mat

- Please shake and squeeze lightly in a bucket filled with water before use. It removes powder dust attached at the time of processing, and the water easily spread on the mat.
- If you use DOOA TERRA LINE when fixing willow moss on a WABI-KUSA Mat, the water is provided to Willow Moss on the mat due to the water-absorbing property of DOOA TERRA LINE, and a good growing environment will be maintained. Willow Moss is provided with water evenly by winding if it is wound in a grid with a width of 0.5 to 1 cm.
- Since live aquatic plants such as ferns and Anubias are very delicate until they take roots in the mat, please prepare a plant with emerged leave in a good condition. Cut the damaged leaves and roots, and wrap the stems and roots with Willow Moss, and fix them on the WABI-KUSA Mat.



○ Tips on management of aquatic plants in an emerged condition

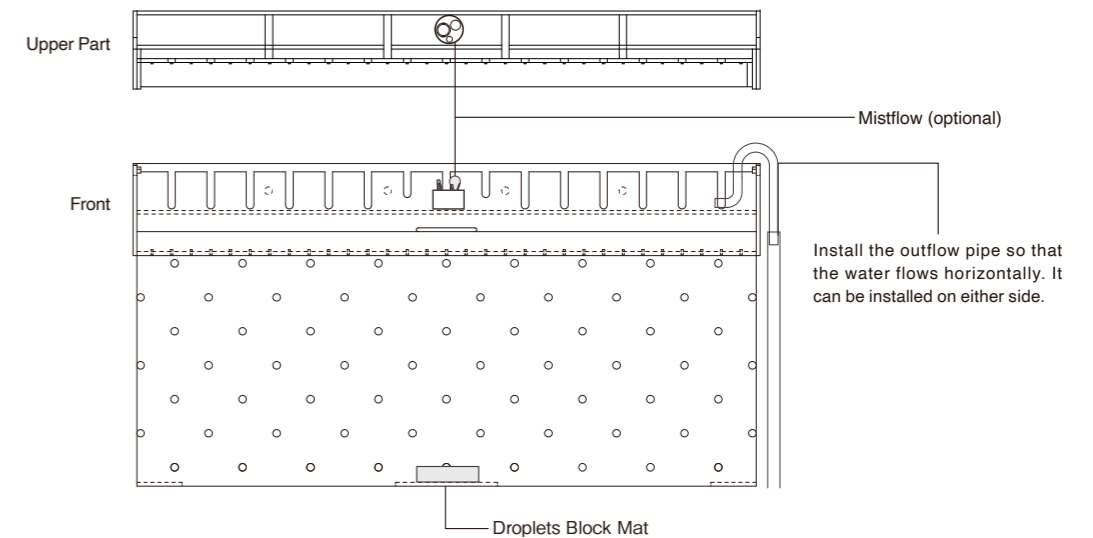
- Depending on the species and condition of aquatic plants attached to the WABI-KUSA Mat as well as on the surrounding humidity, it is recommended to take a temporary measure against dehydration of plants such as covering the front and sides of the tank with plastic wrap in the initial set-up period.
- It will be easier to draw in water if the Willow Moss etc. is put on the side of the upper side of the WABI-KUSA Mat, and the water retention of the WABI-KUSA Mat will be enhanced.
- Please mist plenty of water with a hand spray at least once a day.

4. Other precautions

- Dirt and algae build up on the Cascade spillway. Before water flow is affected by dirt/algae, remove them with a Cascade Brush S(DOOA) to keep this part clean.
- Fix WABI-KUSA Mat in place firmly using the retainer grid pins. Up to 27 pieces of WABI-KUSA Mat can be installed between the grid pins.
- The use of DOOA TERRA LINE (optional) is recommended to attach Willow Moss and epiphytic plants to Wabi-Kusa Mat.
- When using this product with Steel Cabinet for MIZUKUSA MIST WALL 90, water falling from the cascade spillway may easily splash if Wabi-Kusa or Wabi-Kusa Mat is not properly attached or depending on how the plants grow. Be careful not to allow water to splash by monitoring the installation and plant growth closely.
- If you start the filter and run water without attaching Wabi-Kusa Mat between the retainer grid pins, the water falling from the cascade spillway may splash over the surrounding of the aquarium.
- This product is designed in such a way that if the outflow point is heavily clogged due to dirt buildup on the cascade spillway or if it is connected to a filter with flow rate of more than 5.5 L/min, the water flows out to the back of this product through the overflow slit. In such a case, if there is splashing of water out side of the aquarium, you can prevent it by placing a Droplets Block Mat, cut to a suitable size as shown below.
- Please cut and place a Droplets Block Mat lower than the edge of aquarium tank. When dirt and algae are built up on the Droplets Block Mat, they start leaking along and over the edge of aquarium tank. Please check regularly, and maintain its cleanliness.

5. Installation of Mistflow

- For product information of Mistflow, please check its operation manual.
- Install Mistflow in the center of the flow box. The cord can be routed from both left and right side.





DOOA, an inspiring brand, helps you enjoy aquatic plants more freely. Minimal and easy, and designed as a platform allowing everyone to nurture plants indoors. Feel closer to nature, and bring beauty into your life.

MIZUKUSA MIST WALL 90

水草云雾挂壁 90 使用说明书

使用之前

●在使用本产品之前, 请仔细阅读本说明书。请在理解了正确的使用方法后再行使用。在不知道正确使用方法的情况下, 严禁使用。●仔细阅读后请妥善保存本说明书。●安装连接后, 请确认各个部分是否牢固连接, 并且在没有漏水、水溅出的情况下继续使用。●请轻拿轻放。不要给予产品震动或冲击, 否则会导致破损。●使用对应水草云雾挂壁 90 的金属底柜时, 请充分考虑水草茂盛生长时可能造成水飞溅到鱼缸外部的情况, 再决定摆放的位置。●请使用本说明书指定的外部过滤装置和鱼缸。如果使用了指定之外的产品, 本产品功能有可能不能实现。●请把水草云雾挂壁 90 与弊公司指定规格的鱼缸配套使用。本产品是亚克力制成, 所以清洁时, 请一定不要使用40℃以上的热水, 酒精, 涂料稀释剂, 挥发油等会造成产品变形等问题的清洁剂。

1. 水草云雾挂壁 90 的特点

○水草云雾挂壁 90 是使用了ADA特有的侗草毯, 在竖立的壁面上培育水草的水上叶, 再现充满自然风情的水草培育系统。请与另售的ADA强力过滤金属桶ES-600 2台(1台用于壁面过滤、1台用于鱼缸内循环过滤)和流雾(DOOA) 配合使用。

○适用过滤装置: 强力过滤金属桶 ES-600(50Hz 流量:5.5L/min、最大扬程2.1m)(60Hz 流量:6.0L/min、最大扬程2.7m)

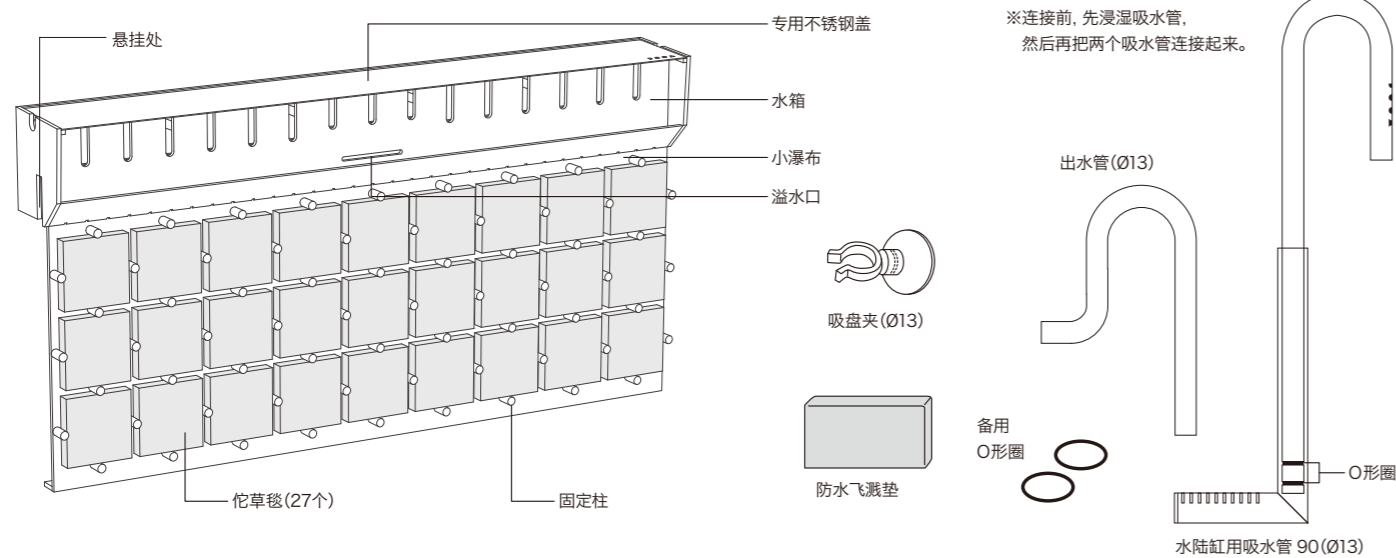
○适用鱼缸: ADA NATURE AQUARIUM 超白玻璃方形鱼缸W90×D45×H45(cm)

※请注意水草云雾挂壁 90无法放入鱼缸使用。

2. 各个部件名称

※请在安装前, 仔细检查配件是否齐全。

※流雾是另售产品。



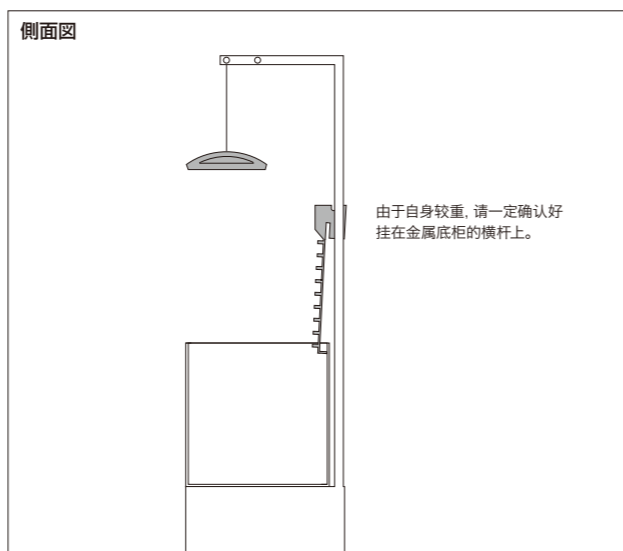
3. 使用方法

①分别把吸水管和出水管与强力金属过滤桶ES-600 相连。

②吸水管可以根据水位调节高度。确认2个O形圈装好后空气不会被吸入, 再使用。

③确认好吸水管和出水管都被正确的安装好后就可以根据强力金属过滤桶ES-600 的使用说明书启动过滤装置。

④启动过滤桶后必须立即检查各个管的连接部位是否有漏水问题。在过滤桶运转30-60分钟后请再次检查是否有漏水或其他异常现象。如果发现异常现象, 请立即停止使用。再次重新连接, 安装。在不知道正确使用方法的情况下, 严禁使用。

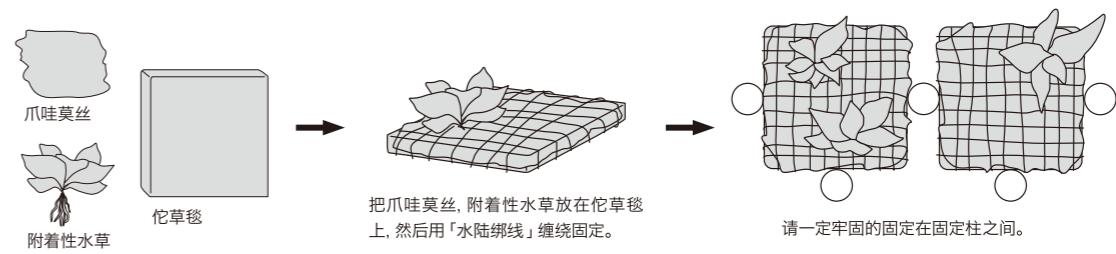


○侗草毯的使用方法

·侗草毯在使用前, 放入盛满清水的容器中, 在不变形的前提下轻轻晃动或揉捏, 清除加工制作时附着在上面的粉末灰尘并使其易于吸水。

·在侗草毯上固定爪哇莫丝等水草的时候, 推荐使用「水陆绑线」。水陆绑线依靠自身能力, 可以给予侗草毯表面的爪哇莫丝水分, 适于其良好生长。以纵横0.5 ~ 1cm网状缠绕水陆绑线可以全方位给予爪哇莫丝水分。

·蕨类, 水榕类等附着性水草在根开始伸展之前是非常敏感脆弱的。准备的植株具有状态良好的水上叶至关重要。请剪去已经受伤的根与叶, 茎部和根用爪哇莫丝包住后固定在侗草毯上。



○如何管理使用侗草毯培育的水草水上叶

·如果固定在侗草毯上的水草状态、空气湿度不理想, 建议用塑料保鲜膜包裹挂壁, 作为防止干燥的临时措施。特别是容易干燥的季节以及使用空调的房间, 都易引起水草干燥情况的发生。建议使用塑料保鲜膜维持水草周边环境湿度。

·在侗草毯的上面和侧面培育爪哇莫丝等植物, 使侗草毯更容易吸水, 保水性更好。

·请每天最少使用喷壶给侗草毯喷水一次。

4. 其他使用注意事项

○在小瀑布的地方会有藻类和污垢附着。请使用小瀑布用刷子S等产品清洁, 保持干净的状态。

○请确保把侗草毯牢固的固定在固定柱之间。可以固定27个侗草毯。

○在侗草毯上种植爪哇莫丝、附着性水草时, 建议使用另售的「水陆绑线」缠绕固定。

○侗草毯的摆放方法不当或水草太繁茂, 可能导致从小瀑布出水口部位落下来的水飞溅到其他地方。请经常管理水草的生长状态, 确保没有水飞溅的情况发生。

○请注意如果侗草毯没有固定在固定柱之间, 就启动过滤装置, 让水循环, 可能导致从小瀑布流下来的水飞溅到鱼缸外部。

○当小瀑布处较脏, 出水口水流极度不畅时, 如果使用流量5.5 l/min以上的过滤装置, 则水将从背部的溢水口流出。剪切防水飞溅垫至合适的大小, 并放在下图所示的位置可以防止水飞溅。

○请注意防水飞溅垫应低于鱼缸边缘。如果防水飞溅垫附着了污物或藻类, 水有可能顺着鱼缸的边缘外流。请定期检查, 并清洁。

5. 流雾放置位置

○关于流雾(另售) 产品信息, 请参照流雾的使用说明书。

○请把流雾放在水箱的中间。左右两侧都可以走流雾的电源线。

