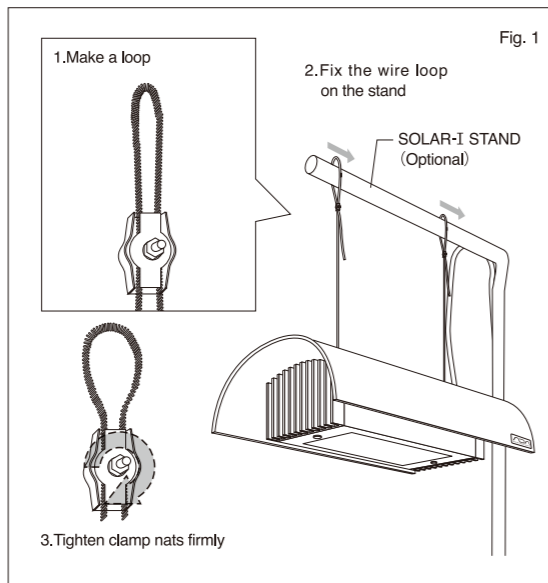


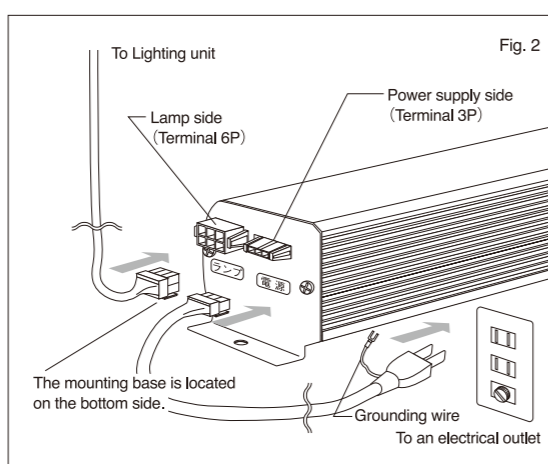
(2) The installation of the Lighting unit

- ① Use ceiling hooks strong enough to support the weight of Lighting unit (2.5kg) if the Lighting unit is to be hung from the ceiling. Install the hooks or Stand according to the manufacturer's instructions.
- ② Make a loop with each of the two hanging wires from the Lighting unit and secure the loop with a wire clamp. Adjust the length of the wires according to the height of the Lighting unit and tighten clamp nuts with a pair of needle nose pliers (Fig. 1).
- ③ Place the loops on the hooks or the bar of Stand. In case SOLAR-I STAND, tighten the wire loop firmly after fixing the portion to avoid stirring or coming loose. ※Make sure that the Lighting unit is hung horizontally level at least 30cm above the water surface. The lamp cord should be straight and parallel to the hanging wires. If the cord droops on the housing, the Light fixture may tilt or fire may result.



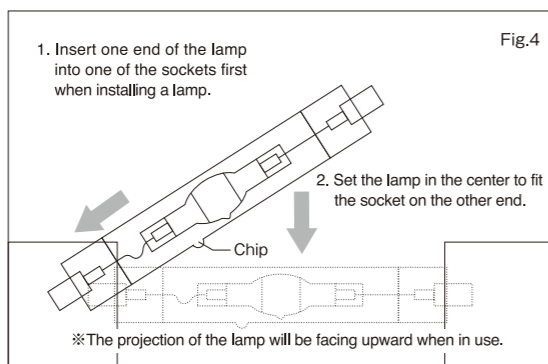
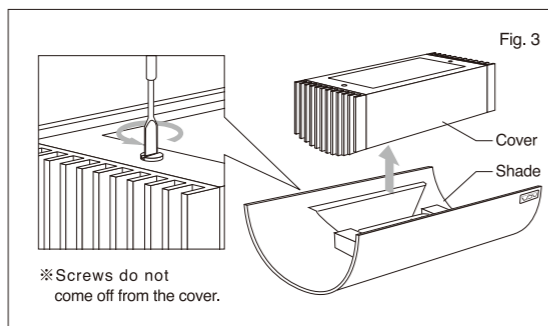
(3) Turning on the lamp

- ① Connect the lamp cord from the Lighting unit (terminal 6P) and the Power cord (terminal 3P) to the Electronic ballast connector. (The mounting base will be located on the bottom.) Make sure that the connector is locked after connecting. (Fig. 2)
 - ② Connect the Power cord to an electrical outlet. Make sure that they are grounded properly.
 - ③ The lamps should turn on when the power is turned on. If the lamps do not turn on, a poor connection may be suspected. Turn off the power and check the cord connection and lamp installation condition.
- ※ A metal halide lamp does not turn on immediately after it is turned off. To restart a metal halide lamp, wait at least 15 minutes before turning it back on.
- ※ It takes a few minutes for the color and brightness of a metal halide lamp to stabilize due to the nature of the product. This is not abnormal.
- ※ Turn the power on or off using the timer or the electrical outlet. Do not use the ballast connector to turn the power on or off. This may lead to damage to the connector or can cause an electrical shock.
- ※ The Electronic ballast will make a sound when it is turned on. This is not abnormal.



(5) Lamp maintenance

- We recommend replacing a metal halide lamp once a year as a general guideline. An old lamp may break while it is lit.
 - Remove dirt on the lighting unit or its Glass shield with damp cloth. Do not use detergent or solvent.
 - Store the Light fixture in a dry place if it is not going to be used for a long period of time. Humidity causes insulation to degrade and a short circuit or electrical shock may result.
- ※ Turn the power off and wait until the Lighting unit becomes completely cool to perform maintenance work.
- ※ In case removing the code from the inverter, pull it out with pushing the mounting base.



ADA
aqua design amano

ソーラーI使用説明書

ADA NATURE AQUARIUM SOLAR-I

お問い合わせ先: ADAサービスセンター
0256-72-1994 (平日10:30~17:30)
E-mail/support@adana.co.jp

発売元: 株式会社 アクアデザインアマン
新潟県新潟市西蒲区漆山8554-1 〒953-0054
aqua design amano CO.,LTD.
8554-1 Urushiyama, Nishikan-ku, Niigata 953-0054, Japan

製造元: 岩崎電気株式会社
東京都中央区日本橋馬喰町1-4-16
MADE IN JAPAN

408047S14JE26H21

ADA
aqua design amano

