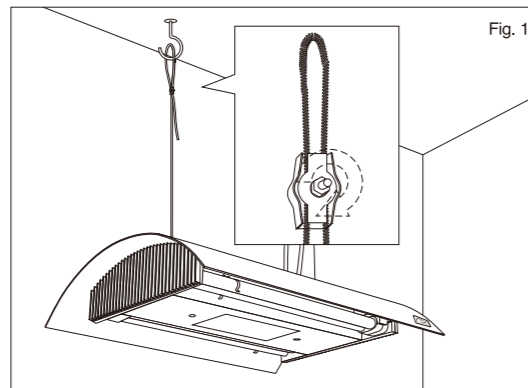


## (2) The installation of the lighting unit

- ① Use ceiling hooks strong enough to support the weight of lighting unit (7 kg) if the lighting unit is to be hung from the ceiling. Install the hooks according to the manufacturer's instructions.
- ② Make a loop with each of the two hanging wires from the lighting unit and secure the loop with a wire clamp. Adjust the length of the wires according to the height of the lighting unit and tighten clamp nuts with a pair of needle nose pliers (Fig. 1).
- ③ Place the loops on the hooks. Make sure that hooks are installed securely so that the lighting unit will not fall. ※ Make sure that the lighting unit is hung horizontally level at least 30cm above the water surface. The lamp cord should be straight and parallel to the hanging wires. If the cord droops on the housing, the light fixture may tilt or fire may result.

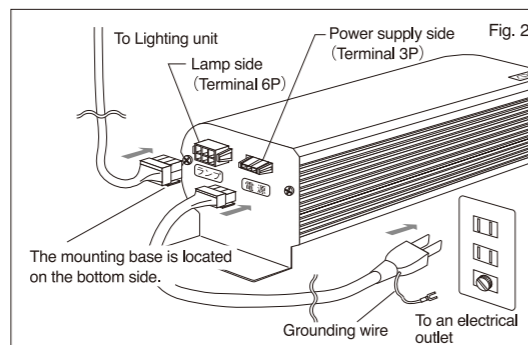


## (3) Turning on the lamp

- ① Connect the lamp cord from the lighting unit (terminal 6P) and the power cord (terminal 3P) to the electronic ballast connector. (The mounting base will be located on the bottom.) Make sure that the connector is locked after connecting. (Fig. 2)
- ② Connect the power cord of the ballast and the power cord of the lighting units to an electrical outlet. Make sure that they are grounded properly.
- ③ The lamps should turn on when the power is turned on. If the lamps do not turn on, a poor connection may be suspected. Turn off the power and check the cord connection and lamp installation condition.

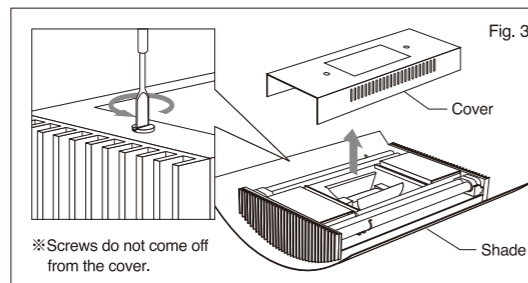
※ A metal halide lamp does not turn on immediately after it is turned off. To restart a metal halide lamp, wait at least 15 minutes before turning it back on.

※ It takes a few minutes for the color and brightness of a metal halide lamp to stabilize due to the nature of the product.



## (4) Metal halide lamp replacement

- ① Loosen two screws on the bottom surface of the cover with a flathead screw driver. (The screws will not come off from the cover.) When the screws are completely loose, remove the cover. (Fig. 3)
  - ② Install a lamp into the sockets. The metal halide lamp must be oriented correctly. Insert the lamp into the sockets so that the small protruded part of the lamp faces upward. (Please read the leaflet for the lamp thoroughly.) (Fig. 4)
  - ③ Replace the cover after the lamp installation in the opposite order to step.
- ※ Be sure to turn off the power to the light fixture when replacing a lamp.  
 ※ Do not handle a metal halide lamp with bare hands. If a metal halide lamp has a finger print or dirt on it, wipe it off using a clean fabric soaked in ethyl alcohol.  
 ※ Do not apply excessive force on the lamp during installation. The lamp may break with undue force applied on it.

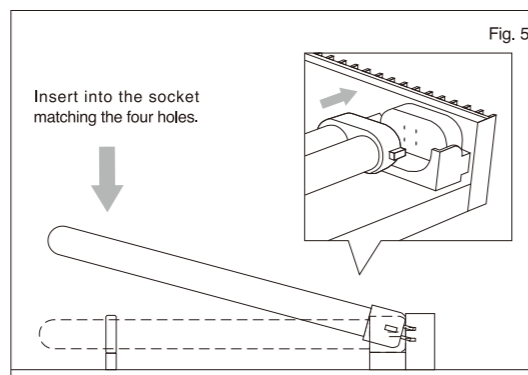
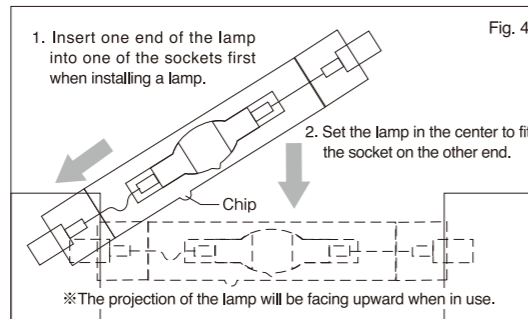


## (5) Power compact fluorescent lamp replacement

- ① Install a power compact fluorescent lamp into its sockets correctly and secure the lamp with lamp holders. (Fig. 5)
- ※ Do not hold the glass tubes tightly during installation since this may cause the lamp to crack.

## (6) Lamp maintenance

- We recommend replacing a metal halide lamp once a year as a general guideline. An old lamp may break while it is lit.
  - We recommend replacing a power compact fluorescent lamp every 6 months to a year as a general guideline. If a powercompact fluorescent lamp starts to flicker while it is lit, replace the lamp immediately.
  - Remove dirt on the lighting unit or its glass shield with damp cloth. Do not use detergent or solvent.
  - Store the light fixture in a dry place if it is not going to be used for a long period of time. Humidity causes insulation to degrade and a short circuit or electrical shock may result.
- ※ Turn the power off and wait until the lighting unit is completely cool to perform maintenance work.



ADA  
aqua design amano

# ADA NATURE AQUARIUM GRAND SOLAR I

お問い合わせ先: ADAサービスセンター  
 0256-72-1994 (平日10:30~17:30)  
 E-mail/support@adana.co.jp

発売元: 株式会社 アダデザインアマン  
 新潟県新潟市西蒲区漆山8554-1 〒953-0054  
**aqua design amano CO.,LTD.**  
 8554-1 Urushiyama, Nishikan-ku, Niigata 953-0054, Japan

製造元: 株式会社つくばイワサキ  
 茨城県桜川市高森1121-11  
 MADE IN JAPAN

408055S14JE24K13

ADA  
aqua design amano

