

NA LIGHT 300 / 450



aqua design amano CO.,LTD.
8554-1 Urushiyama, Nishikan-ku,
Niigata 953-0054, Japan
MADE IN CHINA
408330S14JE26A13

● Safety Instruction

※To prevent electric shock, injury and any other serious accidents, read the following instructions carefully before use.

⚠ WARNING

- Do not disassemble nor modify this product. It may cause fire, electric shock or malfunction of the product.
- Do not use this product if accidentally dropped on the floor. It may cause fire, electric shock or malfunction.
- This product is for indoor use only. It cannot be used outdoors. Do not install this product in humid or dusty places even indoors.
- Do not use this product in an environment other than its operating environment temperature (0-35°C). Do not use this product in a place where the product is directly exposed to sunlight, water, rain, wind, frequent vibration, or in high humidity. It may cause fire, electric shock or malfunction.
- Avoid water. It may cause electric shock or malfunction. Stop using the product immediately if the product gets wet.
- Never touch the power source with wet hands. It may cause electric shock.
- Do not wrap the AC adapter and lighting unit in insulating materials or place it in an enclosed container. It may overheat and cause a fire.
- Do not insert any metals or flammable materials inside this product. It may cause fire, electric shock or malfunction.
- Do not damage the cord insulation with a sharp object, such as knife. Damaged insulation may result in a short circuit, electrical shock, and/or fire.
- ADA will not be responsible for damage to the product resulting from such causes as improper installation, use, modification of the product, and/or connecting to an incompatible power source.
- Do not forcefully bend, twist, or pull the Power Supply Cord. If the Power Supply Cord is damaged, it may cause fire or electric shock.
- Stop using this product immediately if the Power Supply Cord is damaged (exposed cable core, disconnection of the cord etc.) It may cause fire or electric shock.
- If water droplets come into contact with the AC adapter, power plug, or connection plugs, or if water travels along the cord, it may cause fire or electric shock. When using an outlet positioned lower than the aquarium, create a Drip Loop by letting the cord hang lower than the AC adapter or outlet.
- For added safety, we recommend using the S70 Power Cord with Metal Cover (sold separately).
- Do not look directly into the LED light.
- To prevent electric shock and injury, KEEP OUT OF REACH OF CHILDREN.
- Aquarium Use Only.

⚠ CAUTION

- Be cautious not to drop or submerge this product into water.
- The AC adapter for this product is exclusively for this product. Do not splash water on the lighting unit, AC adapter. This product is not waterproof.
- Do not leave the Lighting Unit directly on the floor or any places other than an aquarium tank during use.
- The lighting unit and AC adapter become hot during operation for heat dissipation, but this is not abnormal. If the AC adapter is not stored in a cabinet, be careful to ensure children cannot touch it.
- The lighting unit, control unit, and AC adapter become very hot during or immediately after use. Handle them only after they have fully cooled to avoid burns. Particularly, the top of the lighting unit and the AC adapter become extremely hot, so do not touch them until they have cooled down.
- LED light of the Lighting Unit is not replaceable.
- Do not use any kind of adhesive tape on this product nor expose the product to direct sunlight. It may cause discoloration or deterioration.
- Do not use this product in places with poor electrical connections. It may cause flickering light or black out.
- Do not use this product near a radio or television. It may cause noise problems.
- When unplugging the power, do not pull the cord; hold the power plug to remove it. Pulling on the cord may cause malfunctions.
- Always unplug the Power Plug before maintenance.
- If repaired by someone other than our company or if modified, we will not be able to accept repairs.
- If you experience any issues with the product, contact your local ADA distributors.
- The illumination intensity of this product can be adjusted using the dedicated touch switch. The durability of the components may be reduced if the product is continuously illuminated at the maximum illuminance.
- Because the body of the Lighting Unit and the legs are made of different materials, there may be differences in color in the finished product.
- When the light intensity changes, the AC adapter may emit an operating noise or high-frequency sound, which is not abnormal.
- If the Lighting Unit is splashed with water, liquid fertilizer, or additive, wipe it off immediately with a soft, dry cloth to prevent rusting or other damage.

1. Product Features of NA LIGHT 300/450

NA LIGHT 300/450 is a high-color LED lighting fixture designed for growing aquatic plants. Its unique dimming technology optimizes the output of red (R), green (G), and blue (B) lights to not only promote the healthy growth of aquatic plants but also enhance their natural colors, such as vivid greens and reds, for a more beautiful aquascape layout. The fixture features a simple design with essential functions and includes a touch switch for adjusting brightness in three levels, allowing easy customization to suit the characteristics of the plants being cultivated. (The fixture's legs also feature cutouts specifically designed for securely installing the CLEAR STAND, ensuring stability as demonstrated in the setup example.)

Specifications

○NA LIGHT 300:

Suitable for aquariums of the following sizes:
W300 × D180 × H240mm (Glass thickness: 5mm)
W300 × D300 × H300mm (Glass thickness: 5mm)

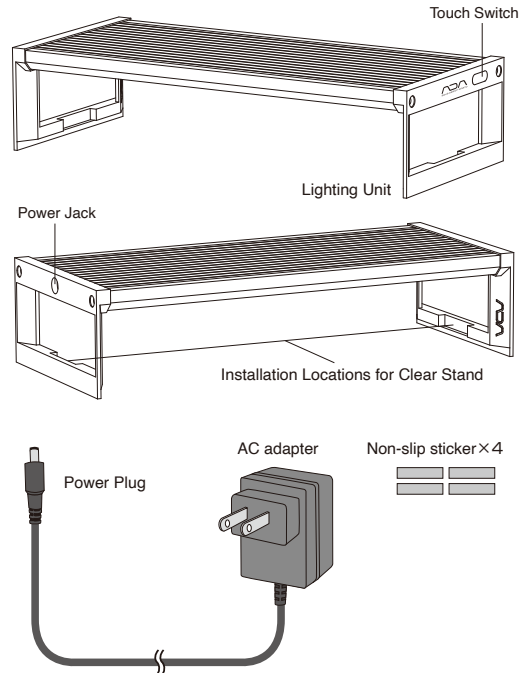
○NA LIGHT 450:

Suitable for aquariums of the following sizes:
W450 × D270 × H200mm (Glass thickness: 5mm)
W450 × D270 × H300mm (Glass thickness: 5mm)

※Above sizes apply to CUBE GARDENS (or similarly frameless tanks of equivalent standards).
For other aquarium types, we do not guarantee compatibility.

2. Names of Product Parts

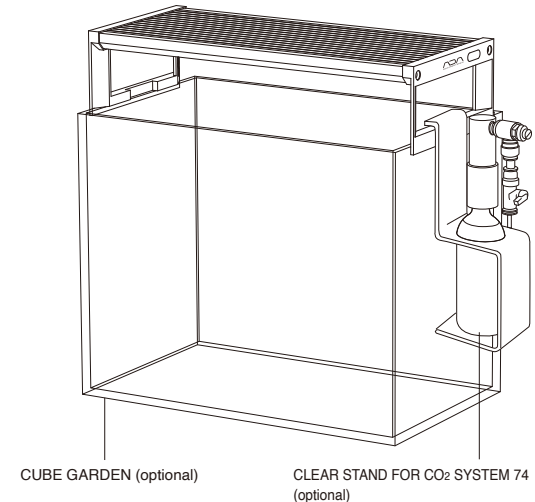
Make sure all parts are included before putting the product together for operation. If any parts are missing or damaged, contact the store you purchased.



3. Usage

- Install the lighting unit on top of the compatible CUBE GARDEN.
- Be cautious not to drop the unit into the water during installation.
- Connect the power cord to the lighting unit. Insert the AC adapter's plug into the outlet. Adjust the brightness in three levels by touching the touch switch.
- The designated area on the legs for the clear stand can also accommodate LILY PIPE SPIN and LILY PIPE MINI P (outflow pipe).

Installation diagram (NA LIGHT 300)



4. Product Specification

○NA LIGHT 300

Input voltage	AC100~240V 50/60Hz
Rated Power	36W
Power consumption	20W±10%
Illuminance	Around 24,000Lux±10% (Central illuminance at 10cm)
Color temperature	Around 9,000 ~12,000K
(Due to the nature of LED lighting, there are variations in color temperature.)	
LED	RGB LED × 28
LED lifespan	Over 30,000hrs (subject to operating environment)
Operating temperature range	0 - 35°C

○NA LIGHT 450

Input voltage	AC100~240V 50/60Hz
Rated Power	48W
Power consumption	30W±10%
Illuminance	Around 25,000Lux±10% (Central illuminance at 10cm)
Color temperature	Around 9,000 ~12,000K
(Due to the nature of LED lighting, there are variations in color temperature.)	
LED	RGB-LED×49
LED lifespan	Over 30,000hrs (subject to operating environment)
Operating temperature range	0 - 35°C

※Please note that the lifespan of each electronic component, including the AC adapter, may be shortened depending on the operating environment (voltage, temperature, installation location) and lighting time.
※We recommend replacing the AC adapter after 5 years of use.

NA 水族灯 300/450



●安全注意事项

※在使用本产品前，请仔细阅读以下注意事项。

不遵守以下注意事项的话，有可能会发生触电、火灾或烧伤等重大事故。

⚠ 警告

- 请绝对不要对产品进行分解、改造等。否则有可能造成火灾、触电、故障等事故的发生。
- 不慎将本产品掉落在地面上等，使灯体受到剧烈撞击后，请停止使用。否则有可能造成火灾、触电、故障等事故的发生。
- 请在室内使用本产品。请一定不要在室外使用。即使是在室内，也不要安装在湿度高、灰尘多的地方。
- 请勿在超出本产品规定的使用环境温度（0~35℃）范围以外的环境中使用。此外，请不要使用于阳光直射的地方、湿度极高的地方、有振动的地方或直接与水、雨、风相接触的地方。否则有可能发生火灾、触电、故障等事故。
- 使用时请注意不要使产品沾到水。否则有可能发生触电、故障等事故。产品沾到水后，请停止使用。
- 请绝对不要用湿手插入或拔出电源插头。否则有触电的危险。
- 请不要在产品上覆盖布或纸类等易燃物品。请不要在易燃物的周围使用本产品。否则有可能会引起火灾等事故发生。
- 请不要在产品的缝隙处插入金属类或易燃物。否则有可能发生火灾、触电、故障等事故。
- 电源线的绝缘部分，请一定要注意不要被刀具等尖锐物品划伤。绝缘部分出现破损的话，会导致漏电、触电、火灾等事故发生。
- 由于不正确地安装本产品或使用方法错误，或者由于改造产品、不正确的电源连接方式等原因导致的产品故障，不在弊社公司保修范围内。
- 严禁强行弯曲、拧、拉电源线。否则有可能导致电源线破损，引发火灾、触电等事故发生。
- 电源线损坏后（露出芯线、断线等情况），请立即停止使用。继续使用会导致火灾、触电等重大事故发生。
- AC适配器及电源插头如果被水滴溅到，或水沿着电线渗入，可能会引发火灾或触电事故。因此，在插座位置低于鱼缸时，请在低于AC适配器或插座的位置预留一部分电源线并将其下垂，使得水滴可以自然滴落。
- 为了更好地保护您的安全，推荐使用带金属保护罩的智能控制插排S-70（另售）。
- 在开灯的状态下，请一定不要直视LED灯。
- 请在儿童无法触及的地方使用。否则有触电、受伤的危险。

⚠ 注意

- 请一定要注意本产品不要掉落在水中或沾到水等。
- 请一定不要让灯体、控制器、AC适配器、电源插头等沾到水。本产品没有防水功能。
- 如果沾到水，水会顺着电线流到电源插头处，导致火灾、触电等重大事故发生。如果电源插线板的位置低于鱼缸，推荐使用带外壳的智能控制插排S-70（另售）。
- 请不要把正在通电的灯体直接放在地上或其他位置。
- 通电时，灯体因为发热，表面温度较高。这是正常现象。另外，如未将AC适配器收纳于柜体内，请注意避免儿童触碰。
- 灯体、控制器及AC适配器，在通电使用中和关闭电源后的短时间内，温度较高。请一定要等其完全冷却后，再进行相关操作，否则可能有烫伤的危险。特别是灯体表面（散热片）的温度很高。在冷却之前，请一定不要触摸。
- LED灯珠无法进行更换。
- 请不要在灯体上粘贴胶带或让阳光直射灯体。否则有变色或老化的危险。
- 请不要在电压不稳的场所使用。否则有可能导致灯光闪烁、灭灯的情况发生。
- 产品的周围请不要使用收音机、电视等产品。否则可能会有杂音。
- 拔掉电源时，禁止直接拉电源线，请手持电源插头拔掉，以免造成产品损坏。
- 清洁、维护时，时请一定拔掉电源。
- 如由本公司以外的单位进行维修，或擅自对产品进行改造，本公司将无法提供维修服务，敬请谅解。
- 如您需要修理本产品，请联系您购入本品的经销商。
- 本产品采用触控式开关，可调节照度。若长期在最大照度下持续点灯，可能会影响部件的耐久性，请注意使用。
- 灯体散热部位与灯体支架部位的材料不同，稍有色差，请您谅解。
- 调节色调、亮度等时，控制器、AC适配器等有可能发出高频音。这是正常现象。
- 如果水、液肥和添加剂等溅到灯体上，请立即用干燥柔软的布擦拭。否则会导致灯体生锈。

1. NA 水族灯 300/450的特长

NA 水族灯 是一款培育水草专用的高色彩LED照明设备。通过独特的调光技术，将红（R）、绿（G）、蓝（B）三种颜色进行最为合适的配光，不仅可以促进水草健康生长，还能使水草呈现其本来的鲜艳色彩，从而更有效地展现出水草造景的美感。本产品设计简约，功能齐全。此外还采用了三档可调光量的触摸式开关，可根据所种植水草的特性调节光量。（支撑部特别设计了可安装专用透明支架的开口，可如安装示例所示，稳定地放置透明支架。）

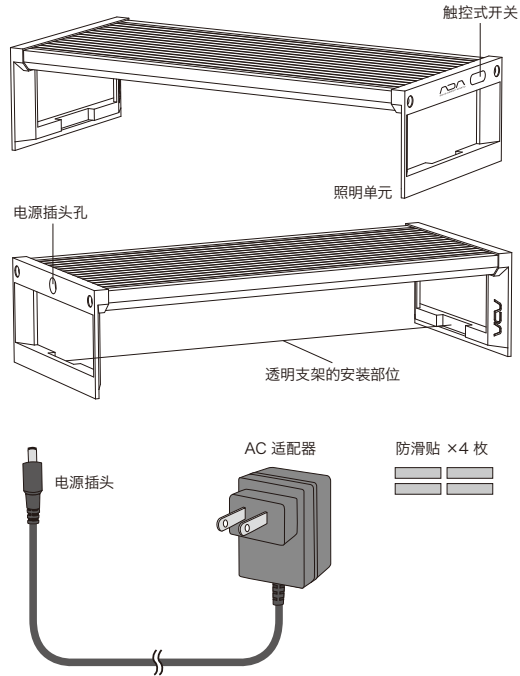
- NA 水族灯 300 适用鱼缸：
W300×D180×H240mm（玻璃厚度5mm）
- NA 水族灯 450 适用鱼缸：
W450×D270×H200mm（玻璃厚度5mm）
W300×D300×H300mm（玻璃厚度5mm）
W450×D270×H300mm（玻璃厚度5mm）

※以上尺寸适用于超白方形玻璃鱼缸（或与之相同规格的无边框鱼缸）。

对于超白方形玻璃鱼缸以外的鱼缸，我司无法保证可以正常安装，请在购买前咨询销售店铺进行确认。

2. 各部件名称

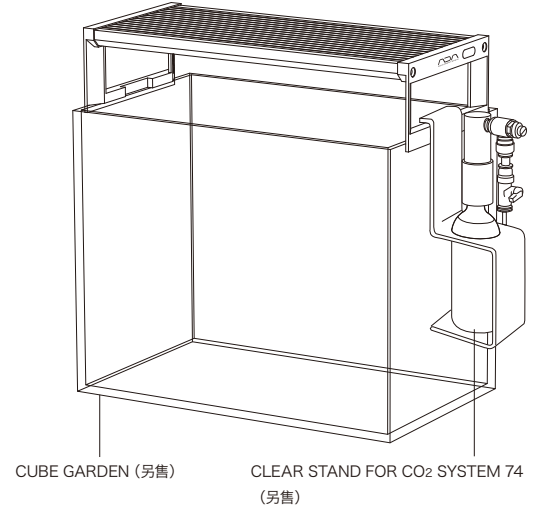
在使用本产品之前，请确认以下部件是否齐全。如发现缺少部件或产品损坏，请立即与购买的销售店联系。



3.使用方法

- 将灯体安装在对应尺寸的超白方形玻璃鱼缸上。
- 安装时请注意不要掉落到水中。
- 将电源线连接到灯体。将AC适配器的插头插入插座，每次触碰触摸式开关时，可以在三档光量之间进行调节。
- 照明单元支撑部设有透明支架的安装开口，还可以安装出水用的转球百合花出水口P或迷你百合花P系列的出水口。

安装示例: NA 水族灯 300



4.产品规格

○NA 水族灯 300

电压	AC100~240V	50/60Hz
额定功率	36W	
使用功率	20W±10%	
照度 (距离10cm的垂直照度)	约24,000Lux±10%	
色温	约9,000 ~12,000K	(因为LED的特征，色温会出现些许浮动)
LED	RGB-LED 灯珠 × 28	
LED寿命	30,000小时以上 (根据使用情况可能出现变化)	
使用环境温度	0~35℃	

○NA 水族灯450

电压	AC100~240V	50/60Hz
额定功率	48W	
使用功率	30W±10%	
照度 (距离10cm的垂直照度)	约25,000Lux±10%	
色温	约9,000 ~12,000K	(因为LED的特征，色温会出现些许浮动)
LED	RGB-LED 灯珠 × 49	
LED寿命	30,000小时以上 (根据使用情况可能出现变化)	
使用环境温度	0~35℃	

※包含 AC 适配器在内的各类电子部件，其使用寿命可能会因使用环境（电压、温度、湿度、安装位置）及点灯时间而缩短，请务必注意。

※自购买之日起已使用超过 5 年的 AC 适配器，建议更换新品。